


SIGNATURE[®]
UNCEMENTED HIP SYSTEM

bioradmedisys[™]
science for people



Revision
Redefined

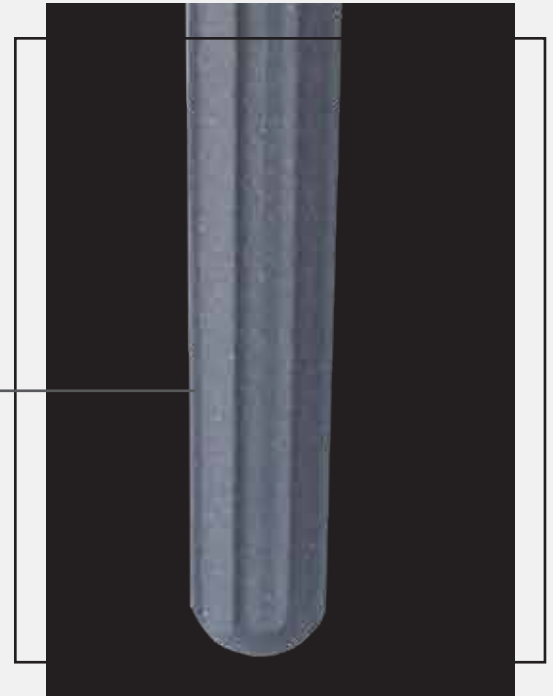
LONG REVISION STEM

Signature Long Revision Stem (LRS)

The uncemented Signature Long Revision Stem (LRS) has been designed by Biorad Medisys Pvt Ltd to provide excellent mechanical stability and secure long term fixation through biological fixation



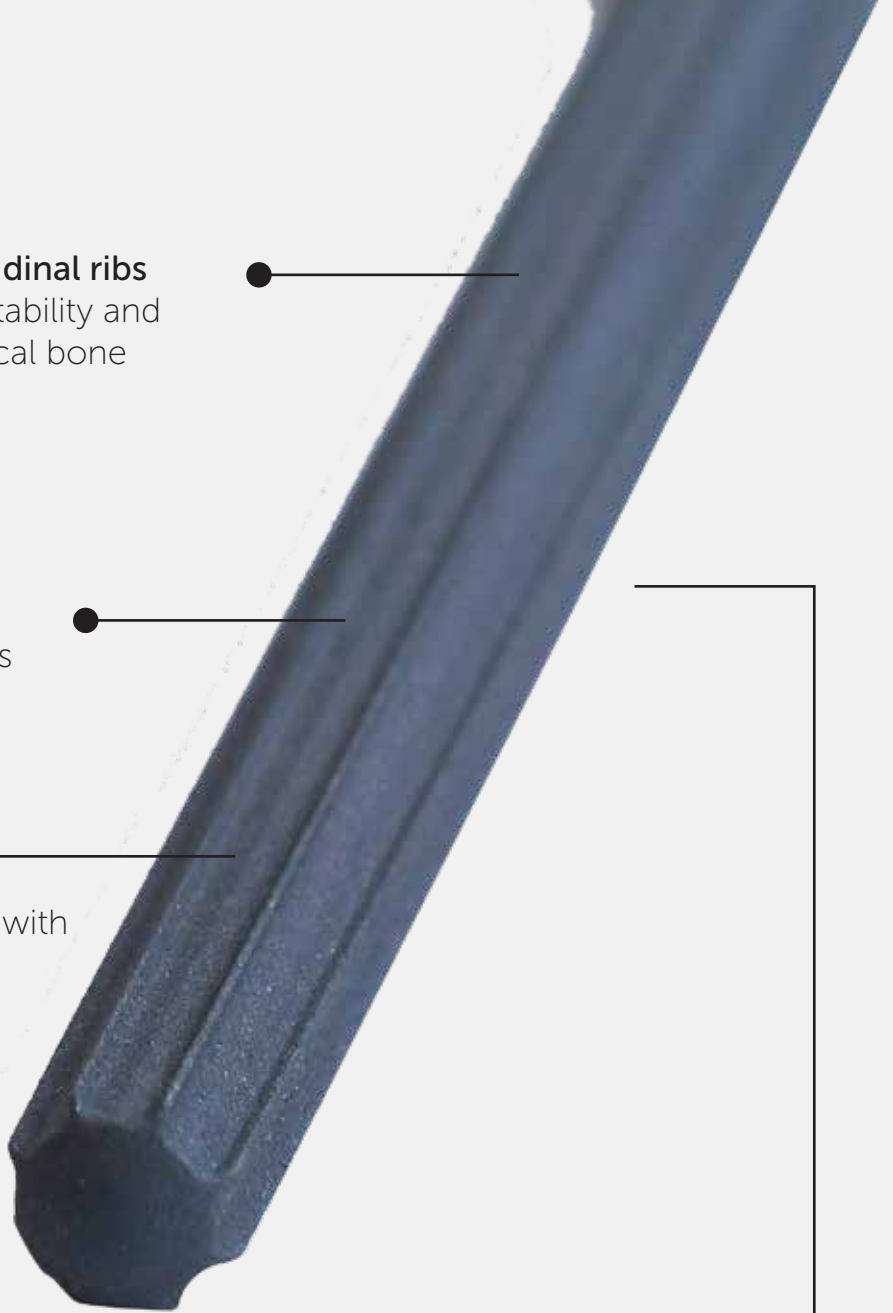
2 degree tapered design
For press fit operation



8 sharp longitudinal ribs
For rotational stability and
fixation in cortical bone

Small stem diameter
For better fit in metaphyses

Circular cross-section
Free setting of anteversion
Canal preparation made possible with
reamers for protection and
preservation of bone





135 degree neck angle

Address both varus and standard femoral neck anatomies

Standard and offset version

For restoring tissue tension

Large offset design

For stability, muscular stabilization and range of motion

Conical- In-Conical Design

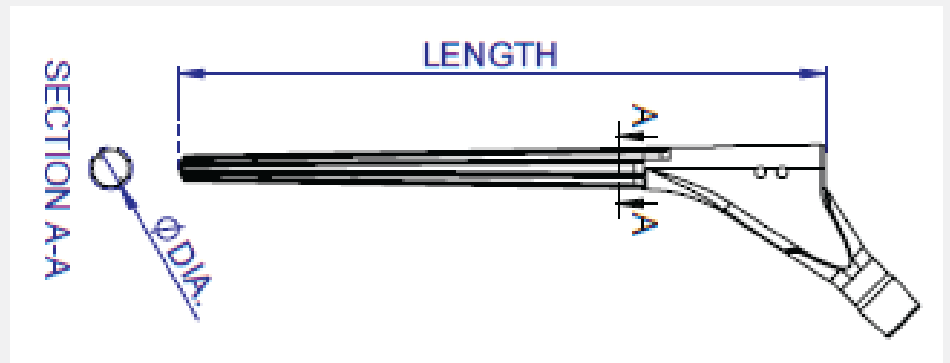
Prevents subsidence of stem

12/14 Taper

Circulotrapezoidal neck to provide greater range of motion

Stem diameter and length

A wide range of stem length and diameter provides stability



Specification

Length	200mm	245mm	275mm
Ø mm			
12	✓	✓	NA
13	✓	✓	NA
14	✓	✓	✓
15	✓	✓	✓
16	✓	✓	✓
17	✓	✓	✓
18	✓	✓	✓
19	*	*	*
20	*	*	*
21	*	*	*

